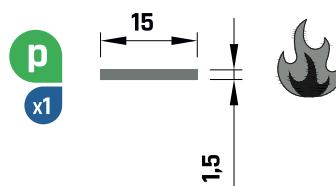
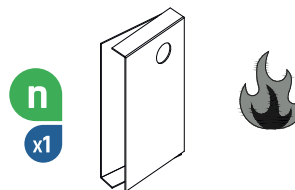
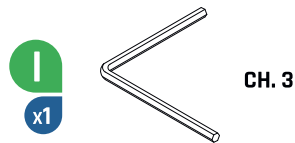
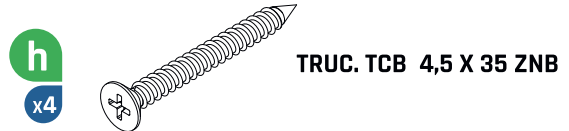
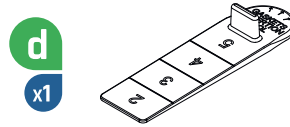
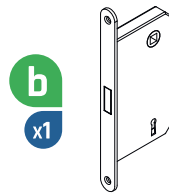
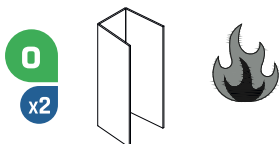
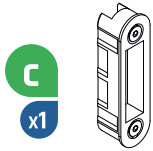
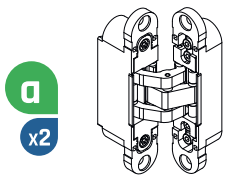


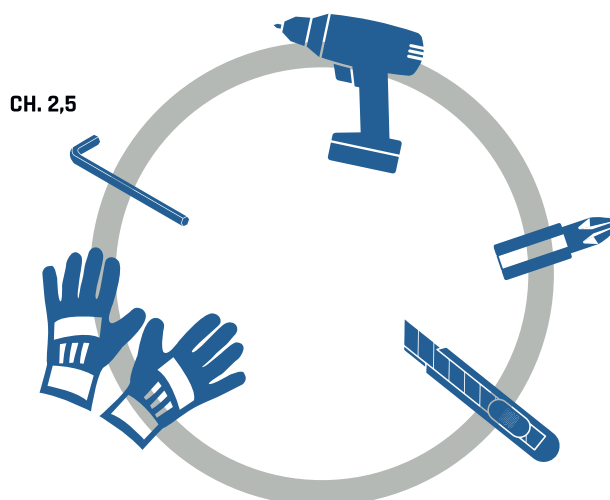
HINGED DOOR INSTALLATION



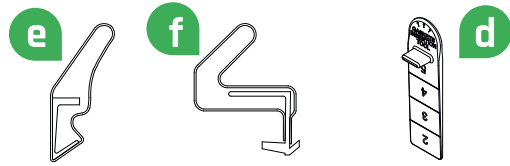
COMPONENTS



TOOLS REQUIRED

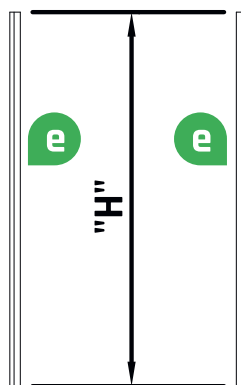
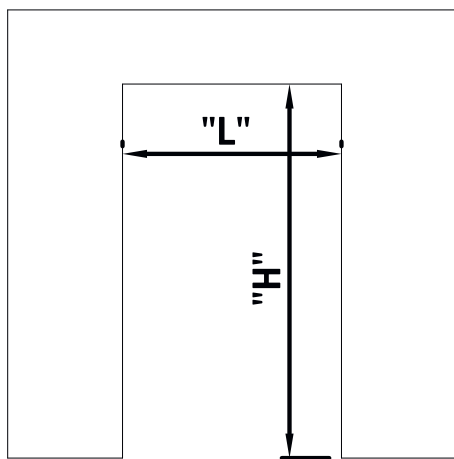
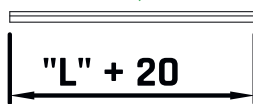
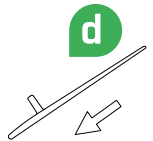
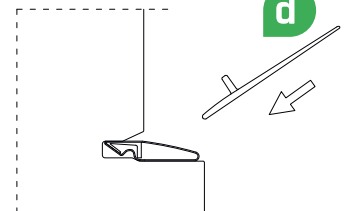
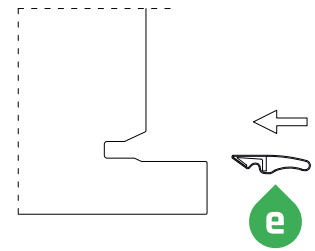
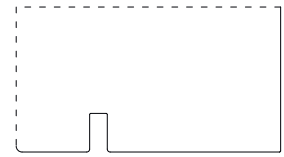
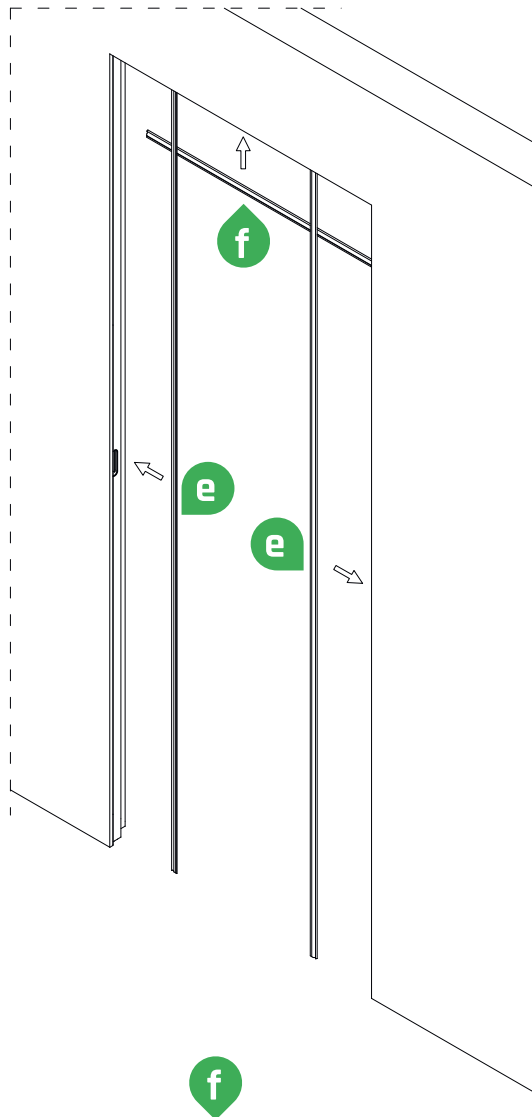
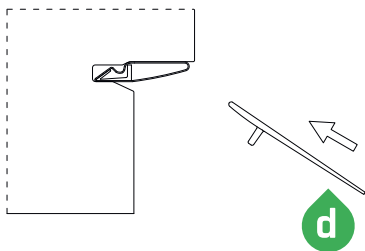
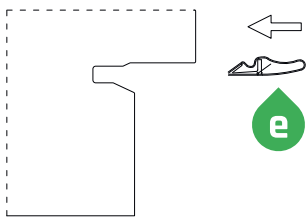
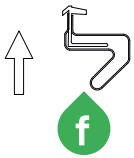
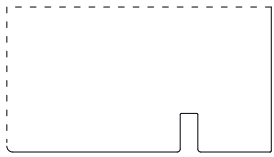


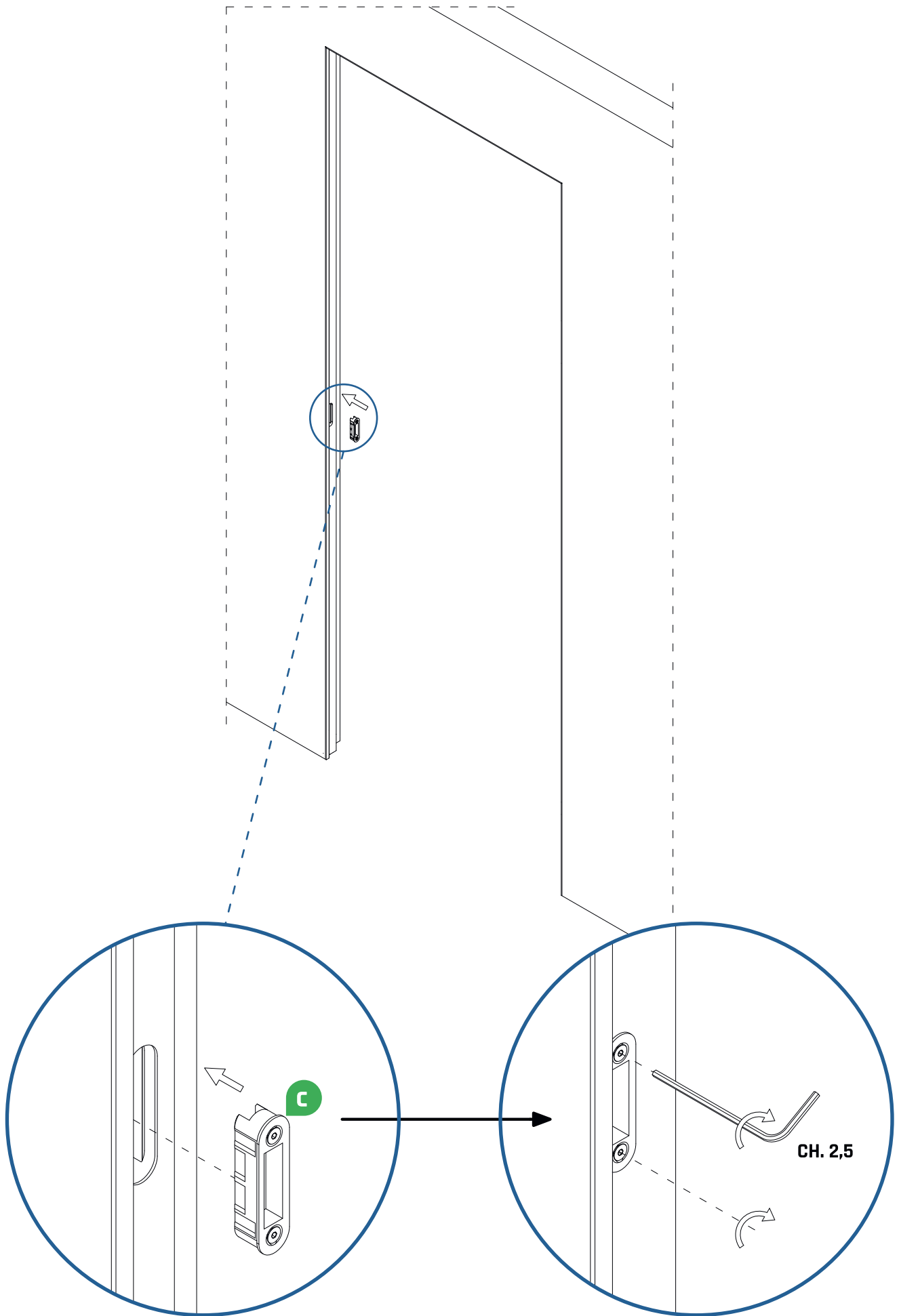
If you follow carefully these instructions for the assembly and installation process your life will be easier! A pair of tressles are very useful when assembling the frames. Some parts may have sharp edges so use gloves and be careful when handling the parts. All Rocket Door frames products are fully inspected and tested before they leave the factory.



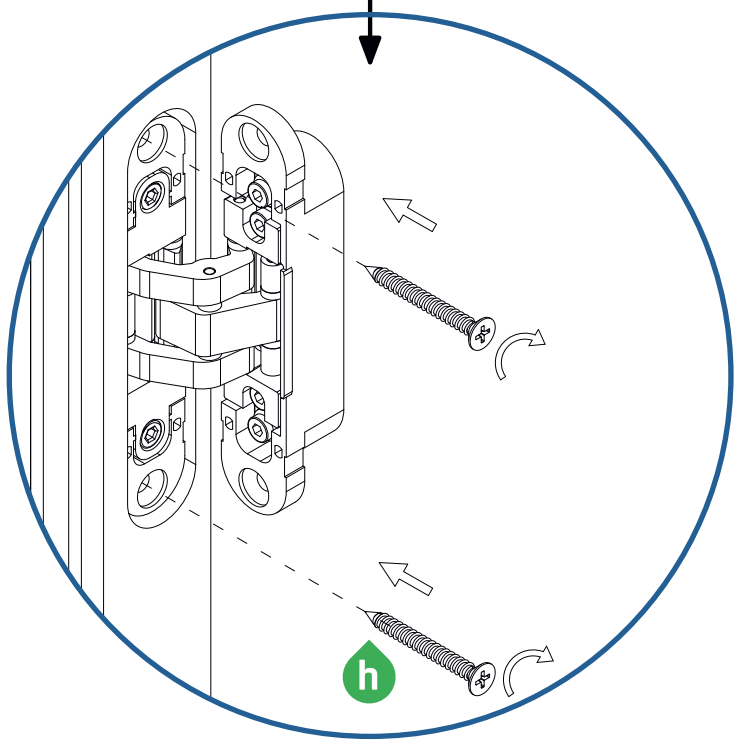
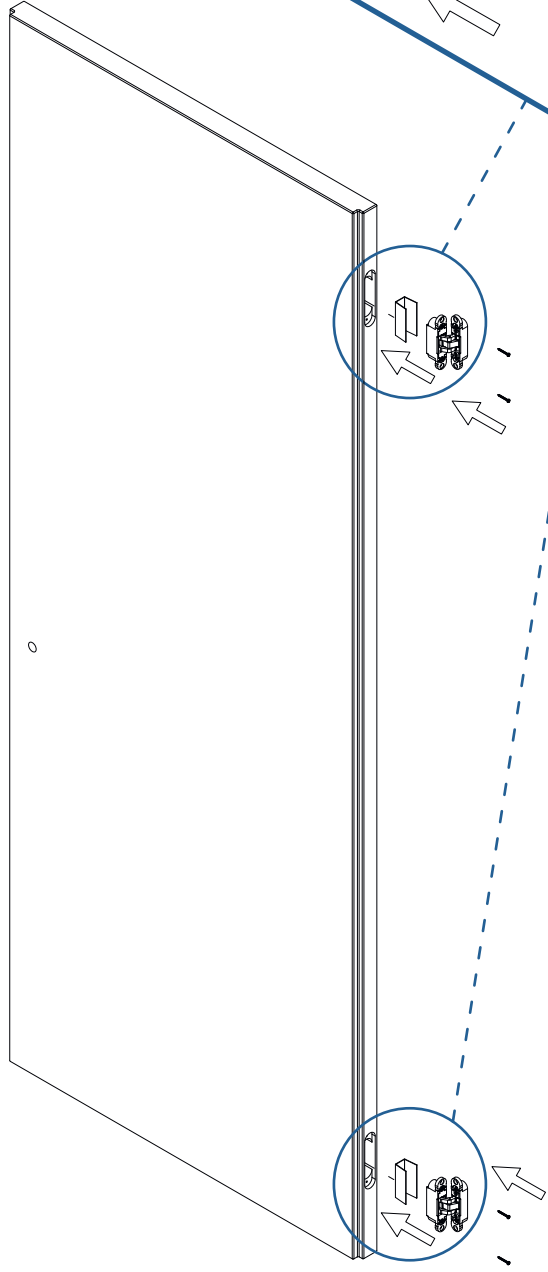
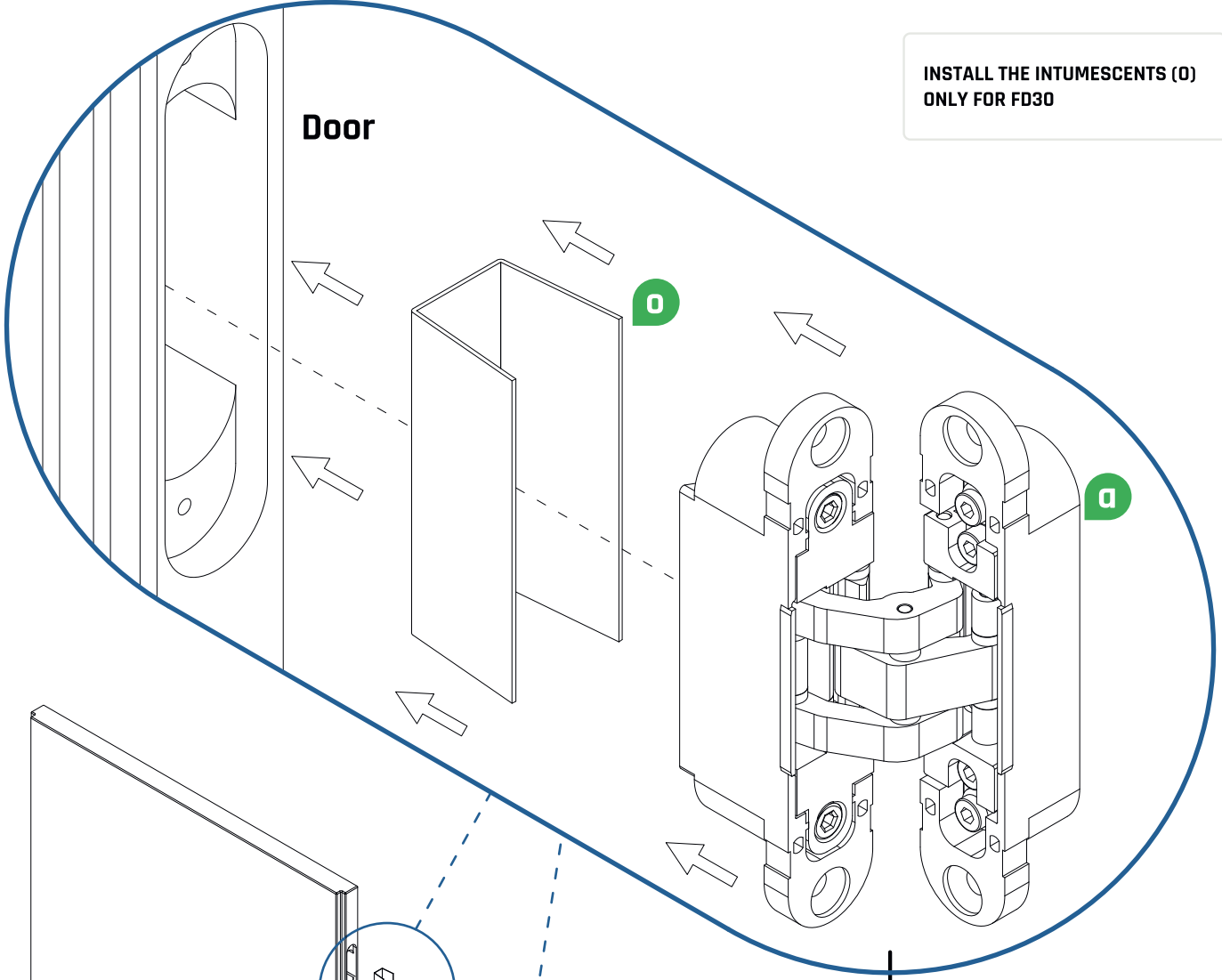
PULL

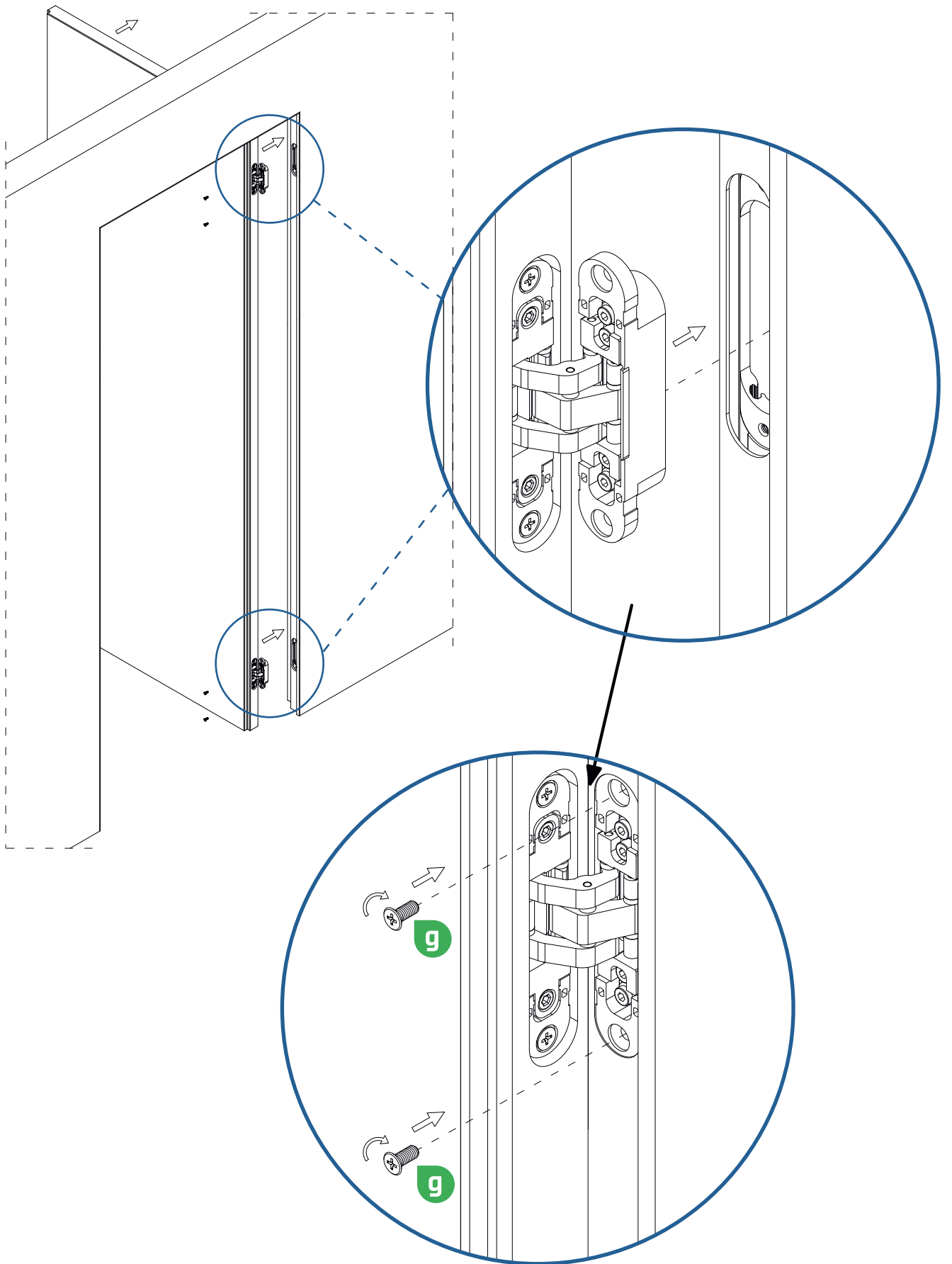
PUSH

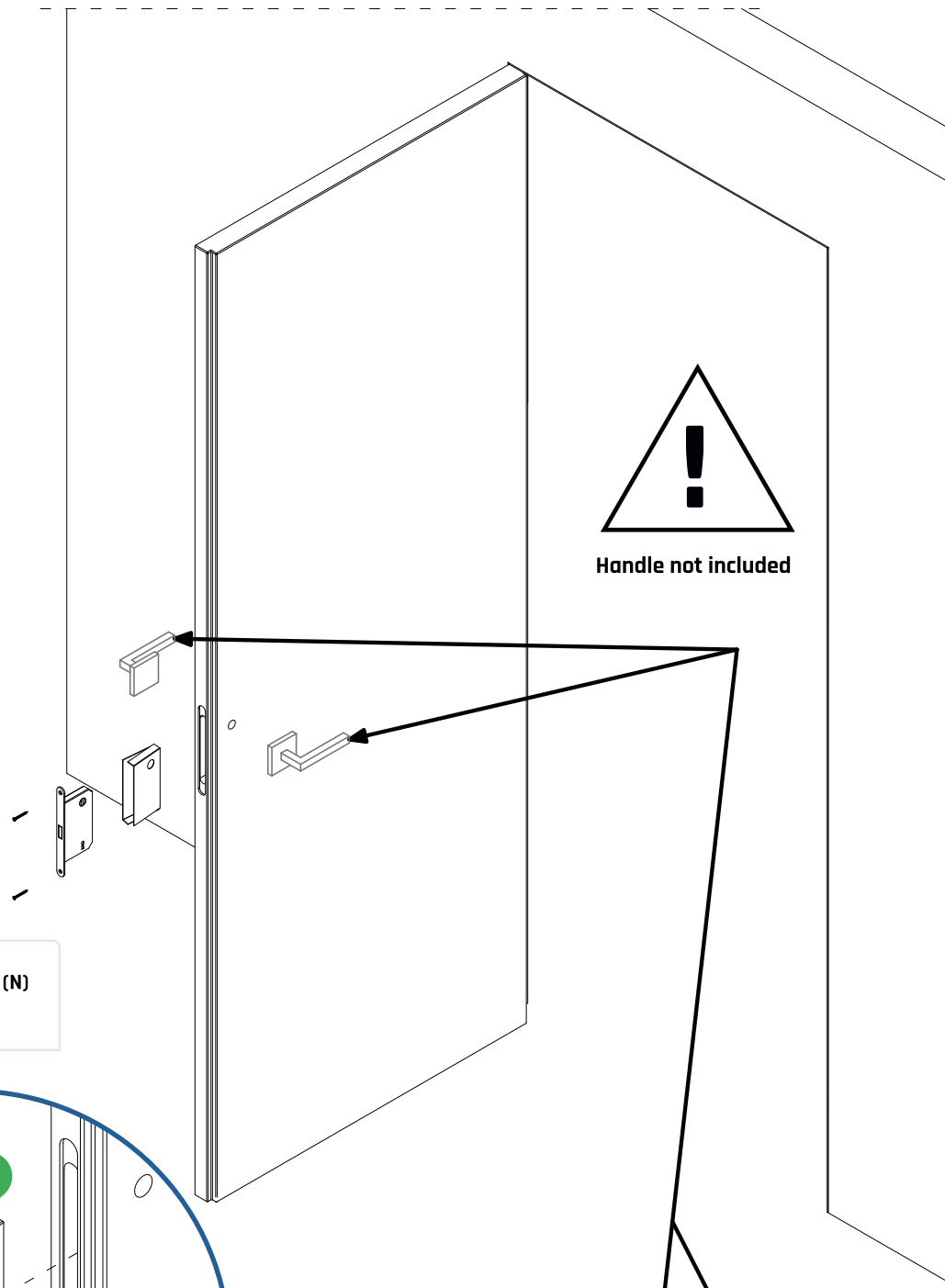




INSTALL THE INTUMESCENTS (O)
ONLY FOR FD30

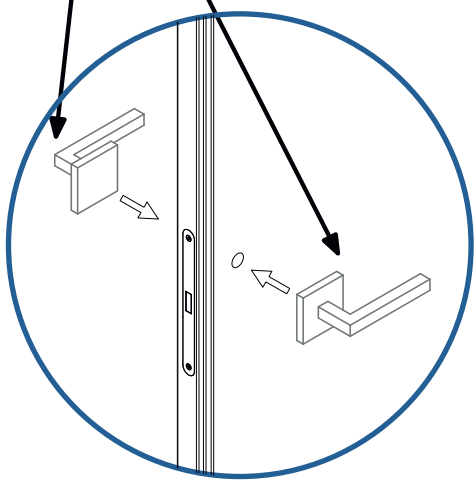
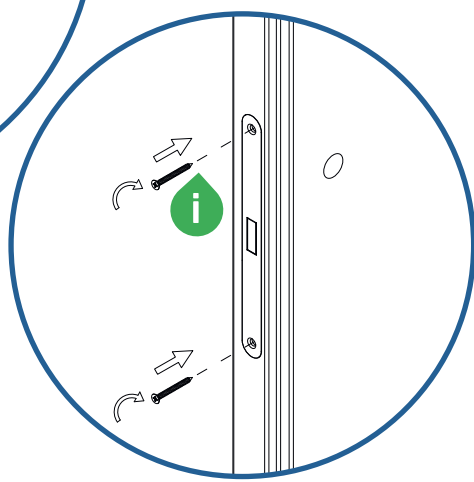
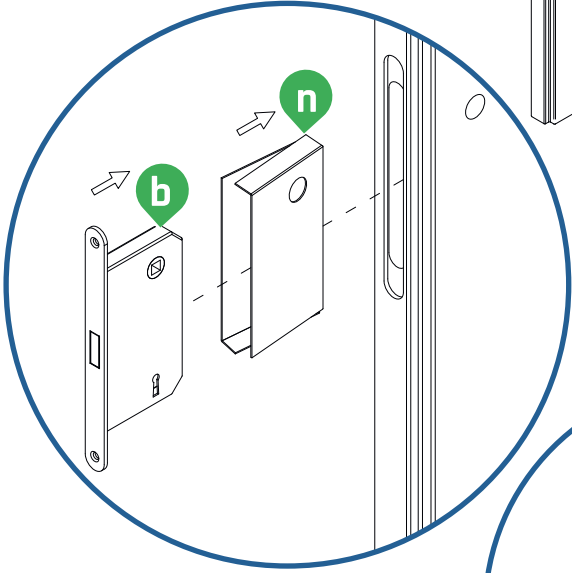


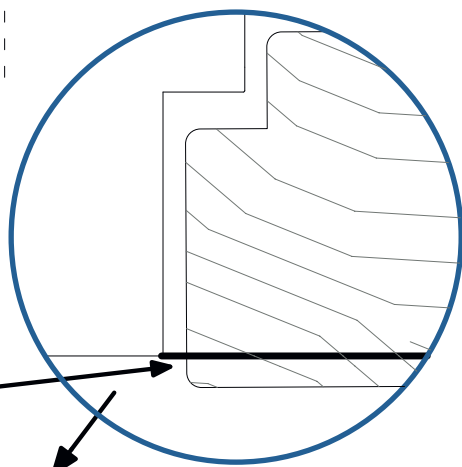
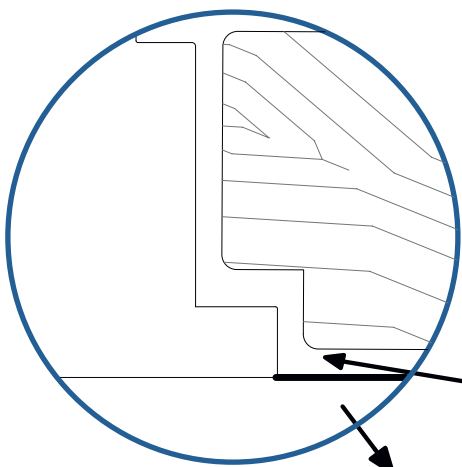
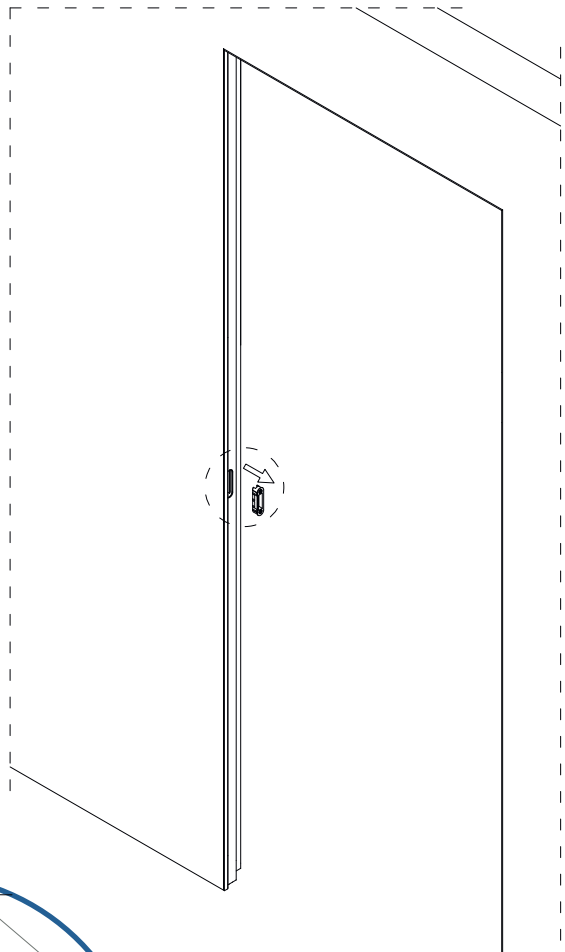




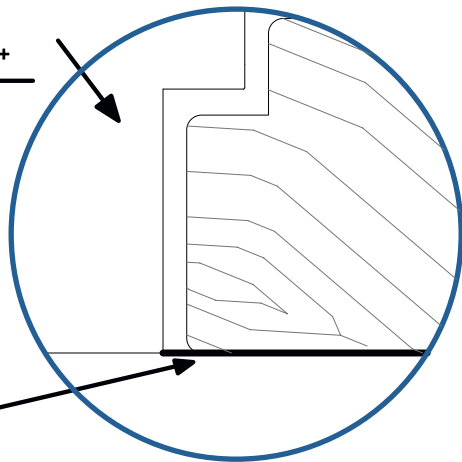
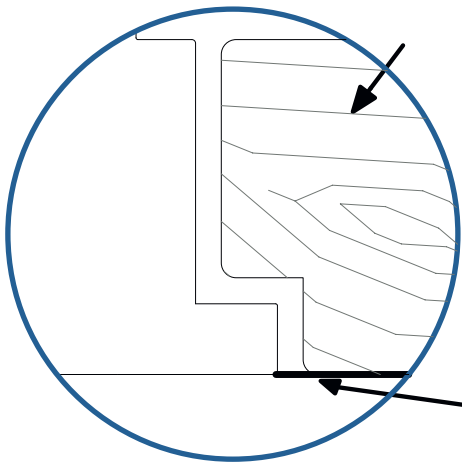
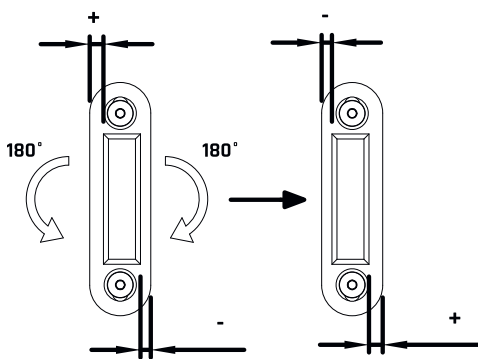

Handle not included

INSTALL THE INTUMESCENTS (N)
ONLY FOR FD30

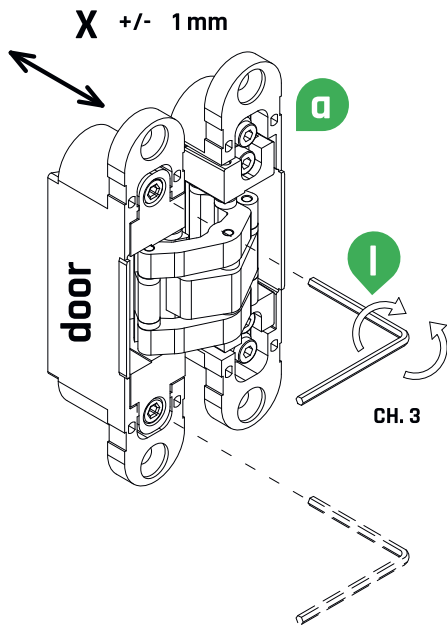
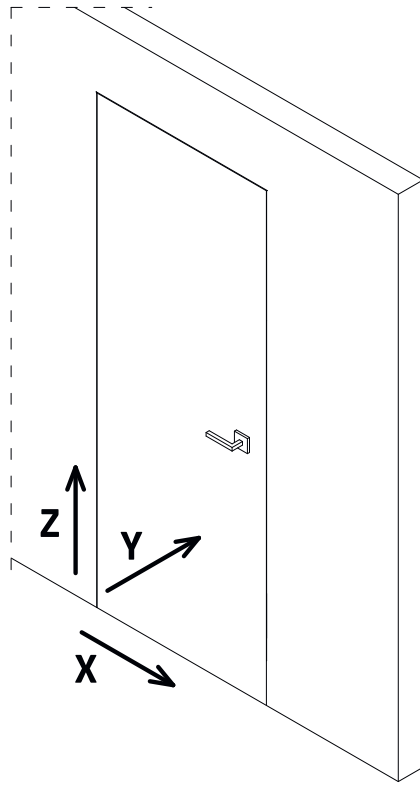




Should not look like this

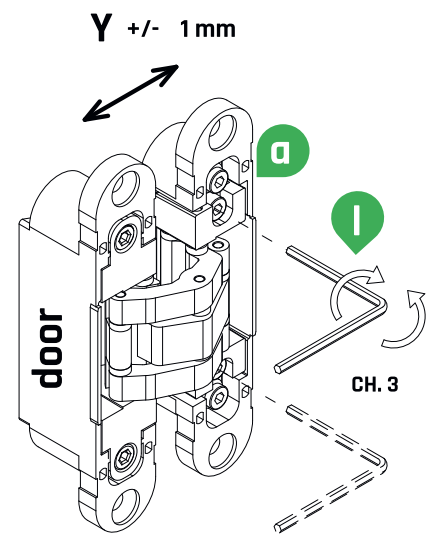


Should look like this
FLUSH

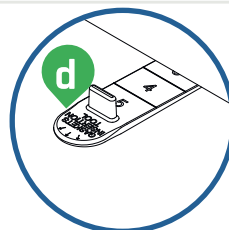
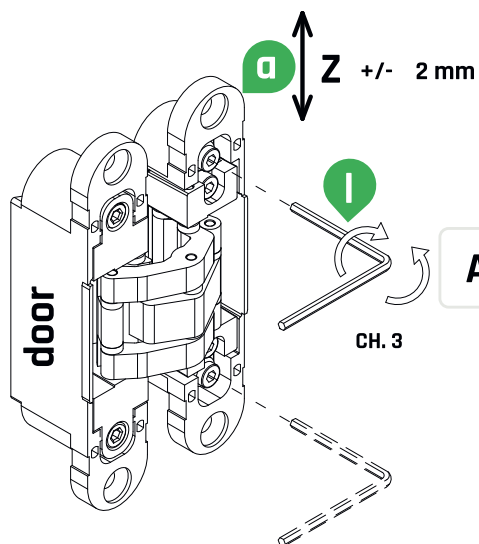


Adjusting the X axis - door panel right/left

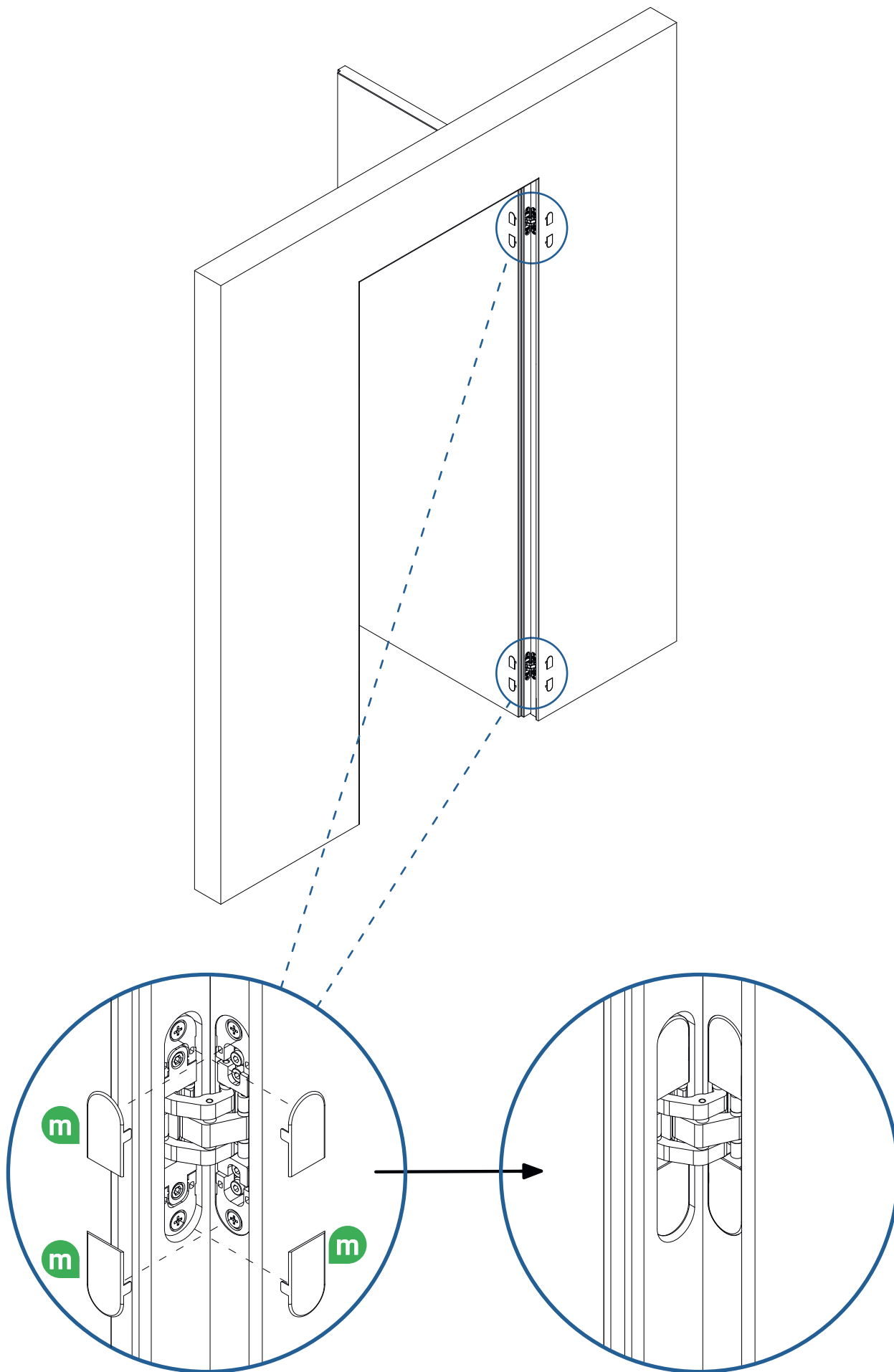
Adjusting the Y axis - door panel in/out

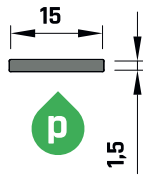


Adjusting the Z axis - door panel up/down



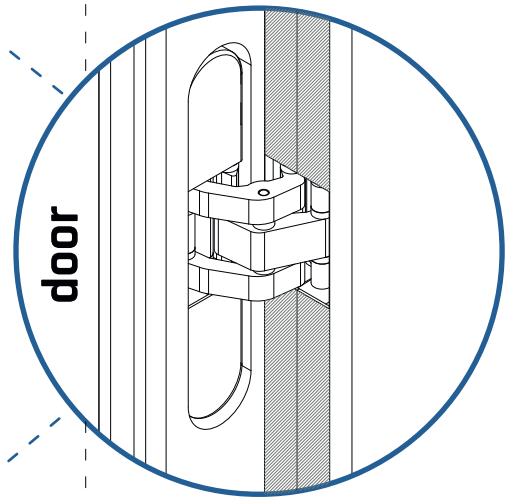
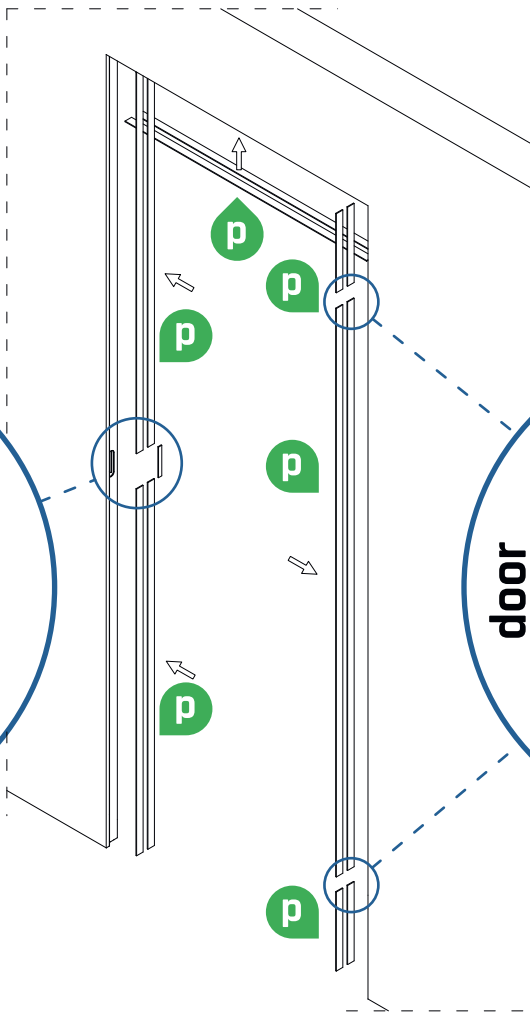
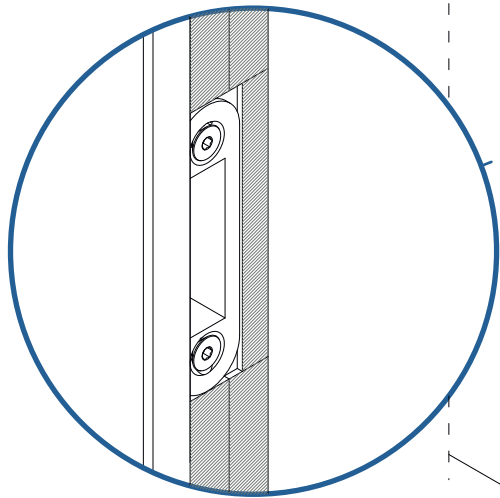
Use wedge (D) to raise the door





The intumescents should be painted before installed. Make sure the paint is compatible with the grafite

INSTALL THE INTUMESCENTS (P) ONLY FOR FD30



PULL

PUSH

